

Free stall fixed drinking trough

Features

Tank	Stainless steel
Housing	Rotomolded polyethylene
Valve	Float valve
System	Constant level
Mounting	Wall or floor mounting with the included brackets
Water flow	32 L/min
Connection	½ in - 12,7 mm
Thread	Male
Capacity	72 L (19 gal)

Advantages

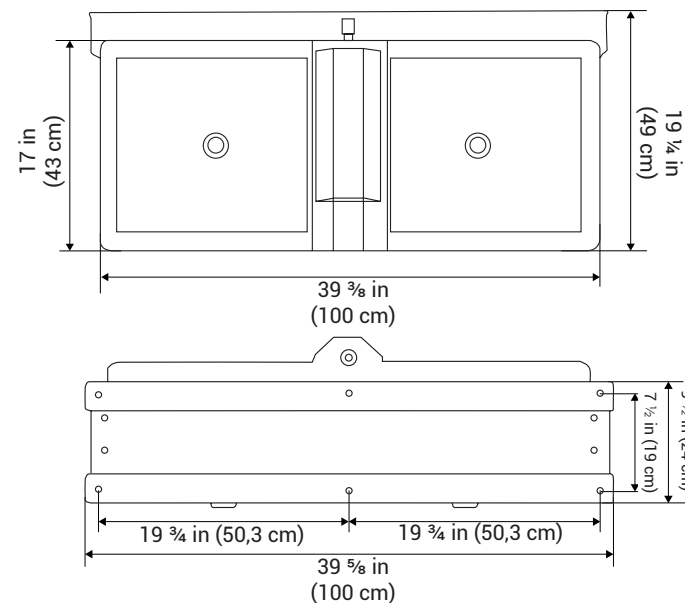
- Canadian exclusivity
- Heavy-duty anti-waste inner rim
- Water inlet blocking system
- Convenient access to the mechanism
- Ideal for operation in pressure ranges from 40 to 50 PSI
- Connection in all directions
- Equipped with a drain plug
- Can be installed on the wall or on the floor

Animal	Number of animal per trough	Installation height	
Calf	50	45 cm	17 ¾ in
Heifer	45	70 cm	27 ½ in
Dairy cow	40	80 cm	31 ½ in
Beef cattle	45	80 cm	31 ½ in
Foal	45	70 cm	27 ½ in
Pony	40	60 cm	23 ⅝ in
Horse	40	90 cm	35 ⅝ in
Goat	90	60 cm	23 ⅝ in
Sheep	90	50 cm	19 ⅝ in



32 L
PER MINUTE

1/2
IN MALE



Parts



Float valve

064-5016